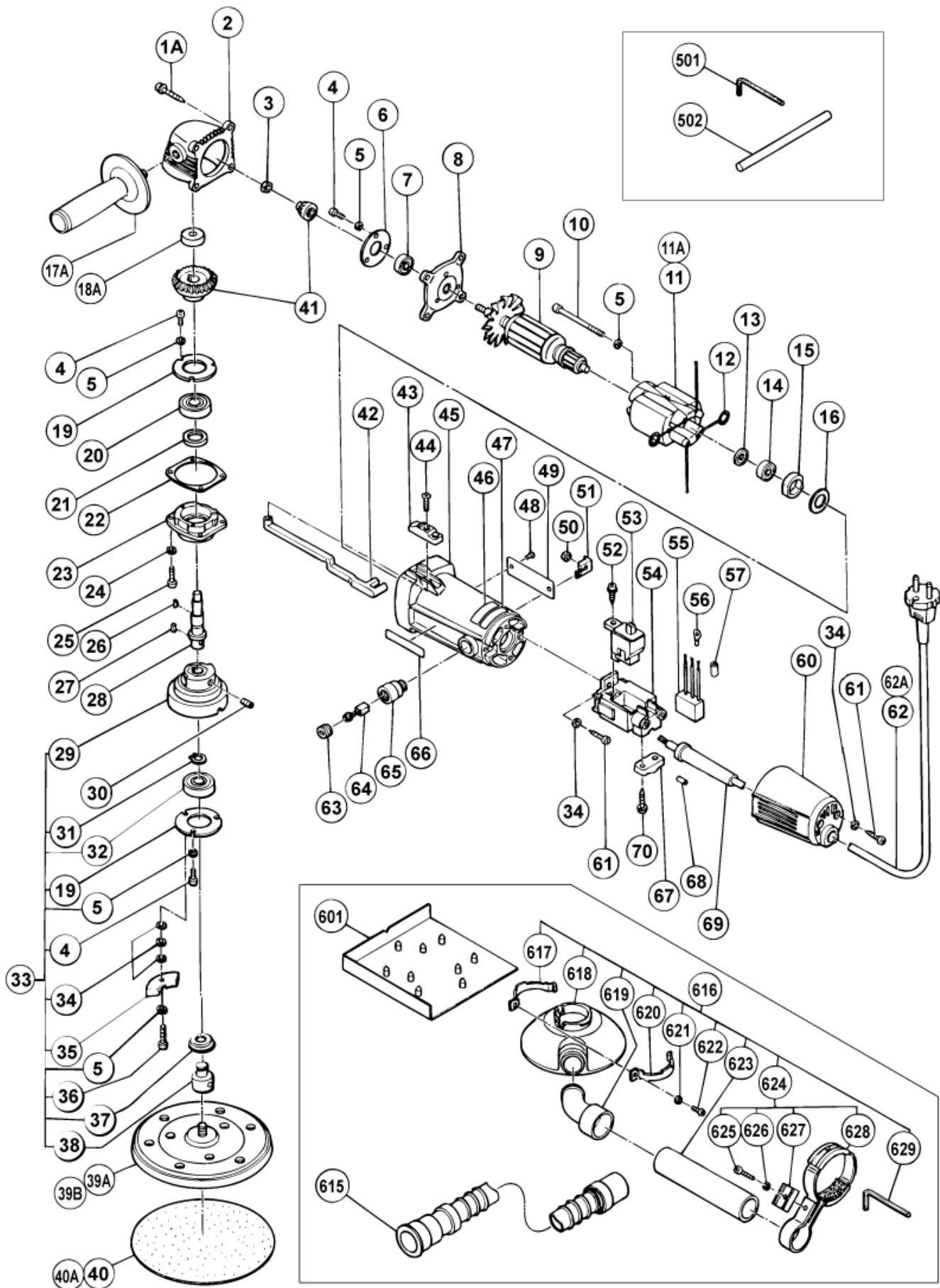


nÂ°	Artikel	Aantal gebruikt
1A	937807 TAPPING SCREW D5X25 (NEW 985620)	4
2	980770 GEAR COVER	1
3	949566 LOCK NUT M5 (10 PCS) (OLD 991-01050-013)	1
6	937125 @ BEARING COVER (A)	1
7	608VVM BALL BEARING 608VVC2PS2L	1
8	937124 INNER COVER	1
9	980785F ARMATURE 240 VOLT (OLD 980785H)	1
9	980785C ARMATURE 110-127 VOLT (OLD 980785J)	1
9	980785E ARMATURE 220-230 VOLT (OLD 980785G)	1
10	930176 @ MACHINE SCREW M4X65	2
11A	980783K STATOR ASS'Y 220 VOLT	1
11	980783J @ STATOR ASS'Y 110 VOLT	1
11	980783G @ STATOR ASS'Y 220-230 VOLT	1
11	980783H STATOR ASS'Y 240V	1
11	980783C STATOR ASS'Y 110-127 VOLT	1
11	980783E STATOR ASS'Y 220-230 VOLT	1
12	930630 BRUSH TERMINAL	2
13	937706 DUST SEAL	1
14	626VVM BALL BEARING 626VVMC2ERPS2S	1
15	937810 BEARING BUSHING	1
16	980801 STOP PLATE	1
17A	956633 SIDE HANDLE	1
18A	935522 METAL	1
19	936680 BEARING COVER (B)	2
20	6201VV BALL BEARING 6201VVCMP2L	1
21	937135 FELT PACKING	1
22	936682 SEAL PACKING	1
23	980772 PACKING GLAND	1
25	949239 MACHINE SCREW M5X16 (10 PCS)	4
26	940220 WOOD-RUFF KEY 2.5X8	1
27	980809 FEATHER KEY 4X4X8	1
28	980806 SPINDLE (A)	1
29	980810 SPINDLE CONNECTOR (A)	1
30	980808 HEX.SOCKET SET SCREW M6X12	1
31	939542 RETAINING RING FOR D12 (10 PCS)	1
32	6201DD BALL BEARING 6201DDUCMAV2S	1
33	980807 CONNECTOR (A) ASS'Y	1
34	949423 WASHER M4 (10 PCS)	5

nÂ°	Artikel	Aantal gebruikt
35	980777 COUNTER WEIGHT	1
36	949221 SCREW (10 PCS)	1
37	980775 DUST SEAL	1
38	980776 PAD SPINDLE	1
39A	980780 SANDING PAD 150MM	1
40A	FOR FRA,SUI (W/O HOLE,PRESSURE SENSITIVE	1
40A	SANDING PAPER (ROUND) AA120	1
40	SANDING PAPER (A) WA120	1
41	937733 GEAR	1
42	937809 SLIDE BAR	1
43	937808 SLIDE KNOB	1
44	949317 FLAT HD.SCREW M3X10 (10 PCS)	1
45	937800 HOUSING ASS'Y	1
47	CAUTION PLATE	1
48	932642 RIVET D2.5X2.8	2
49	NAME PLATE	1
50	949554 NUT M4 (10 PCS)	2
51	937802 NUT COVER	2
52	982034 TAPPING SCREW D4X12 (OLD 301771)	1
53	980778 SWITCH (2P PILLAR TYPE) (OLD 321208)	1
54	937811 SWITCH HOLDER (OLD 937811Z)	1
55	994273 NOISE SUPPRESSOR	0
55	971828 NOISE SUPPRESSOR (OLD 971828Z)	1
56	959144 TERMINAL 50051 (10 PCS)	1
56	980063 TERMINAL	0
60	937812 TAIL COVER	1
61	954004 TAPPING SCREW D4X16 (OLD 337992)	4
62	500201Z CORD 3M 3 X 1,5 H05VV-F (NEW 950543Z)	1
62A	500436Z CORD 2,5M 2 X 0.75 W/PLUG 13A/250V (NEW 500435Z)	1
62A	500423Z @ CORD 2,5M 2 X 1.0 H05VV-F W/PLUG 13A/250V (OLD 500223Z)	1
62	500247Z CORD (NEW 714500)	1
62	500231Z CORD 2,5M 2 X 0.75 H05VV-F W/O PLUG (NEW 500237Z)	1
62	500248Z CORD FOR SUI	1
62	500234Z CORD 5M 2 X 1.0 FOR INA,SUR,MLT H05VV-F (NEW 714500)	1
62A	500447Z CORD 2,5M 2 X 1.0 H05VV-F (OLD 500395Z)	1
62	500439Z CORD FOR AUS (OLD 500226Z/500411Z)	1
63	937847 BRUSH CAP (OLD 960068)	2
64	999021 CARBON BRUSH (1 PAIR)	2

nÂ°	Artikel	Aantal gebruikt
65	937846 BRUSH HOLDER	2
66	957561 HITACHI LABEL (NEW 876859)	1
67	937631 CORD CLIP	1
68	981373 TUBE (D)	0
69	930487 CORD ARMOR D8.2	1
69	930026 CORD ARMOR D10.2	1
69	980193 CORD ARMOR D10.2	1
70	984750 TAPPING SCREW (W/FLANGE) D4X16	2
501	943277 HEX. BAR WRENCH 3MM	1
502	980781 SPECIAL WRENCH	1
601	980803Z SANDING DISC PUNCH	1
615	980804 DUST HOSE	1
616	980802Z DUST COLLECTOR SET	1
617	980790 @ DUST COVER HOLDER (A)	1
618	980788 DUST COVER	1
619	980793 JOINT	1
620	980791 DUST COVER HOLDER (B)	1
621	949453 SPRING WASHER M4 (10 PCS)	1
622	949216 MACHINE SCREW M4X10 (10 PCS) (OLD 949216Z)	8
623	980789 PIPE	1
624	980794 PIPE HOLDER ASS'Y	1
625	949241 MACHINE SCREW M5X20 (10 PCS.)	1
626	949454 SPRING WASHER M5 (10 PCS)	4
627	980796 @ WASHER	1
628	980795 @ RUBBER PACKING	2
629	944458 HEX. BAR WRENCH 4MM	1



Rev.3

形名
SAY-150A